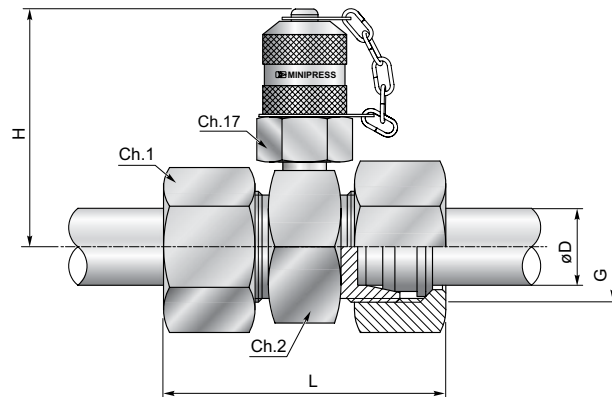




Minipresa raccordo intermedio diretto per tubo metallico

Straight test coupling for metal pipe fitting



Serie / Series	D	G	H	L	Ch 1	Ch 2	PN [bar]	Codice/Ref.	Codice/Ref.	Codice/Ref.
Raccordi ad anello / Ring fittings								M16x2*	M16x1.5	S12.65x1.5
L	6	M 12x1.5	49	57	14	24	250	S11306000C	S11306150C	S11306120C
	8	M 14x1.5	49	51	17	24	250	S11308000C	S11308150C	S11308120C
	10	M 16x1.5	49	53	19	24	250	S11310000C	S11310150C	S11310120C
	12	M 18x1.5	49	53	22	24	250	S11312000C	S11312150C	S11312120C
	15	M 22x1.5	50.5	55	27	27	250	S11315000C	S11315150C	S11315120C
	18	M 26x1.5	53	57	32	32	100	S11318000C	S11318150C	S11318120C
	22	M 30x2	53	61	36	32	160	S11322000C	S11322150C	S11322120C
	28	M 36x2	57.5	61	41	41	100	S11328000C	S11328150C	S11328120C
	35	M 45x2	60	69	50	46	100	S11335000C	S11335150C	S11335120C
42	M 52x2	64.5	71	60	55	100	S11342000C	S11342150C	S11342120C	
S	6	M 14x1.5	49	55	17	24	630	S11406000C	S11406150C	S11406120C
	8	M 16x1.5	49	55	19	24	630	S11408000C	S11408150C	S11408120C
	10	M 18x1.5	49	57	22	24	630	S11410000C	S11410150C	S11410120C
	12	M 20x1.5	49	57	24	24	630	S11412000C	S11412150C	S11412120C
	14	M 22x1.5	49	63	27	27	630	S11414000C	S11414150C	S11414120C
	16	M 24x1.5	52	63	30	27	400	S11416000C	S11416150C	S11416120C
	20	M 30x2	53	69	36	32	400	S11420000C	S11420150C	S11420120C
	25	M 36x2	57.5	75	46	41	400	S11425000C	S11425150C	S11425120C
	30	M 42x2	60	81	50	46	250	S11430000C	S11430150C	S11430120C
38	M 52x2	63	96	60	55	250	S11438000C	S11438150C	S11438120C	

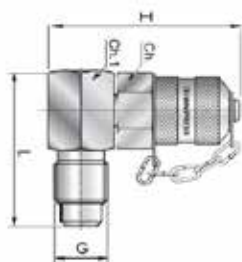
*Versione M16x2 disponibile in INOX / M16x2 version available in Stainless Steel

Opzioni/Options



Minipresa filettata M 16x2 a 90°

90° Threaded test coupling M 16x2



G	L	H	Ch	Ch1	Codice/Ref.
ISO 228 G1/4"	39	55.4	17	19	S10714G90C

Opzioni/Options

